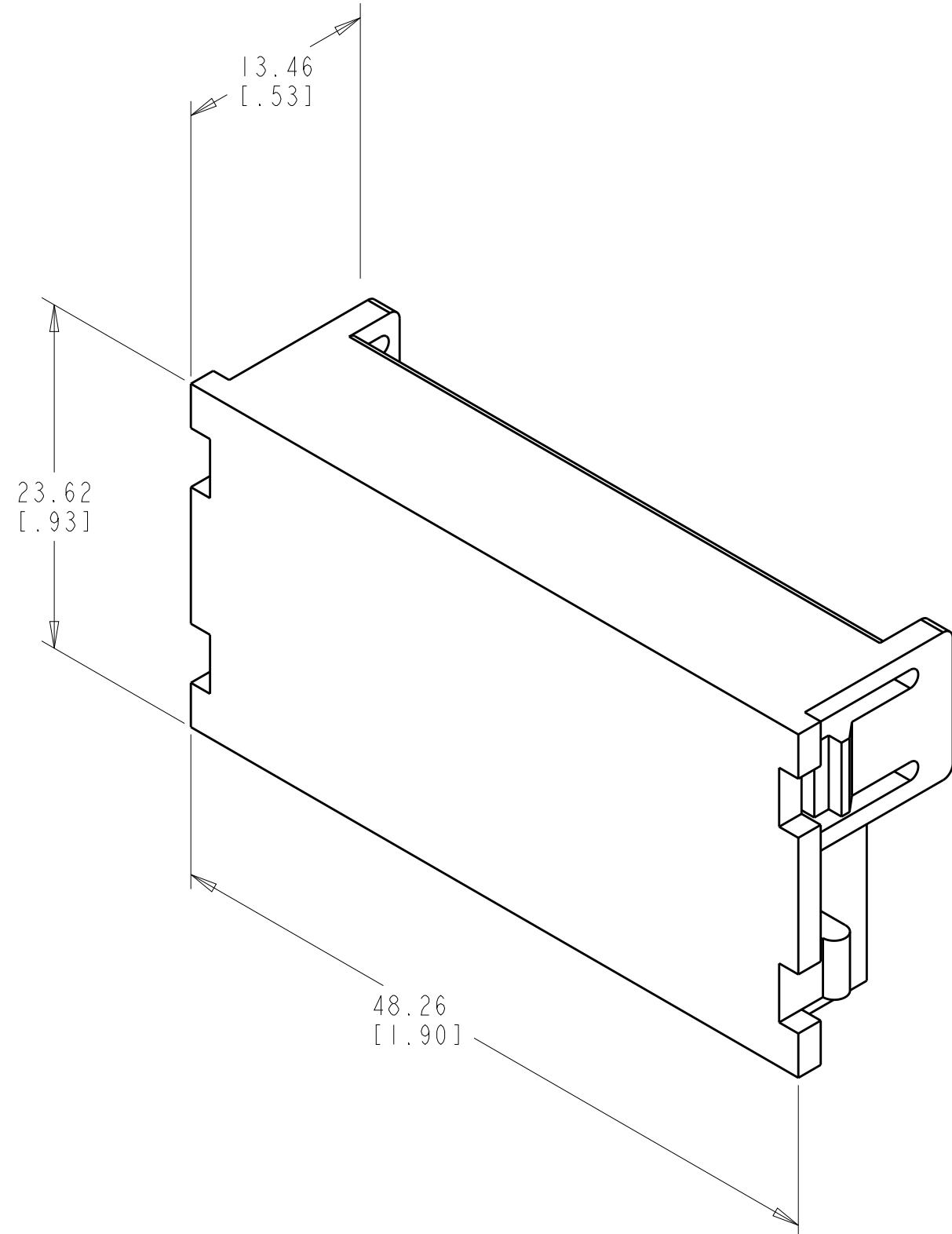


THIS DRAWING IS UNPUBLISHED. RELEASED FOR PUBLICATION  
 © COPYRIGHT 20 BY - ALL RIGHTS RESERVED.

REVISIONS				
P	LTR	DESCRIPTION	DATE	APVD
B		REV; EC 0B40-0208-00	03OCT2000	GG GB
C		REV; ECO-13-019669	16DEC2013	JB RA
D		REV; ECO-15-003156	19MAY2015	GG RA



- 1. MATERIAL:  
MODULE: ABS MOLDING COMPOUND.  
SEE TABLE FOR COLOR.
- 2. DIMENSIONS ARE NOMINAL UNLESS OTHERWISE SPECIFIED.
- 3. REFER TO INSTRUCTION SHEET 408-8398 FOR INSTALLATION PROCEDURES.

ALPINE WHITE	I-1116410-3
LIGHT ALMOND	1116410-1
COLOR	PART NUMBER

THIS DRAWING IS A CONTROLLED DOCUMENT.		DWN T. PITTS 14SEP99	TE Connectivity	
DIMENSIONS: mm (INCHES)		CHK R. MARTIN 18NOV99		
		APVD R. MARTIN 09DEC99		
TOLERANCES UNLESS OTHERWISE SPECIFIED:		PRODUCT SPEC	NAME MODULE, BLANK, 1 UNITS HIGH, SL SERIES	
0 PLC ±-		APPLICATION SPEC	SIZE	CAGE CODE
1 PLC ±-		WEIGHT	A2	-
2 PLC ±.25		CUSTOMER DRAWING	SCALE	4:1
3 PLC ±-			SHEET	OF
4 PLC ±-			REV	D
ANGLES ±.5				
FINISH				